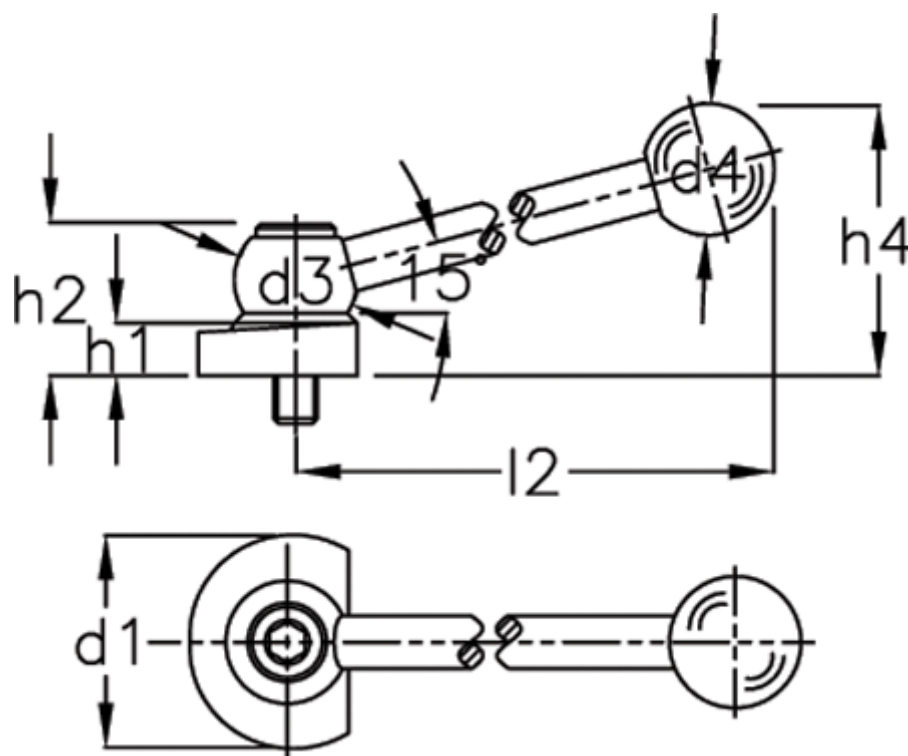


Article number: 209244671L

Description: Clamping bolt GN 918.6-50-KV-L
For eccentric cams, stainless

Measures



d1 = 50
d3 = 28
d4 = 30
H1 = 12
H2 = 34.5
H4 = 62
l2 = 109